



## UV Sensor Probe

Model: WP-UVx-G1/2-2y

### General features:

- Water-resistant probe with sapphire window
- Single power supply
- Analog 0-5 V or 4-20 mA output
- High sensitivity and proven reliability



**Applications:** UV lamp monitoring, UV power measurement for waste/ballast water sterilization, UV curing process control, UV phototherapy monitoring

### Specifications:

General parameters				
Dimensions	Window diameter (mm)	Weight (g)	Case material	
See drawing below	8	120	316L	
Parameters	Symbol	Value	Unit	Remark
Maximum ratings				
Operation temperature	$T_{opt}$	-30-85	°C	
Storage temperature	$T_{sto}$	-40-90	°C	
Water resistance	$p$	10	bar	entrance window side
Electro-optical characteristics (25 °C)				
Supply voltage	$V_{cc}$	9-24	V	DC
Output signal	$I_{out}$	4-20	mA	2 wire circuit (WP-UVx-G1/2-21)
				3 wire circuit (WP-UVx-G1/2-22)
	$V_{out}$	0-5	V	3 wire circuit (WP-UVx-G1/2-23)
Detection wavelength range <sup>1</sup>	$\lambda$	220-280	nm	WP-UVC-G1/2-2y
		220-325		WP-UVB-G1/2-2y
		220-370		WP-UVA-G1/2-2y
		290-440		WP-UVV-G1/2-2y
UV power intensity measurement range	$P$	0-200	mW/cm <sup>2</sup>	See other options <sup>2</sup>
Connection				
Circular connector	5 mm male connector with 5 pins			
Cable (optional)	2 m cable with 5 mm female connector (cable length can be customized)			

<sup>1</sup> UVA, UVB, UVC, UVV and full UV band are all available upon request.

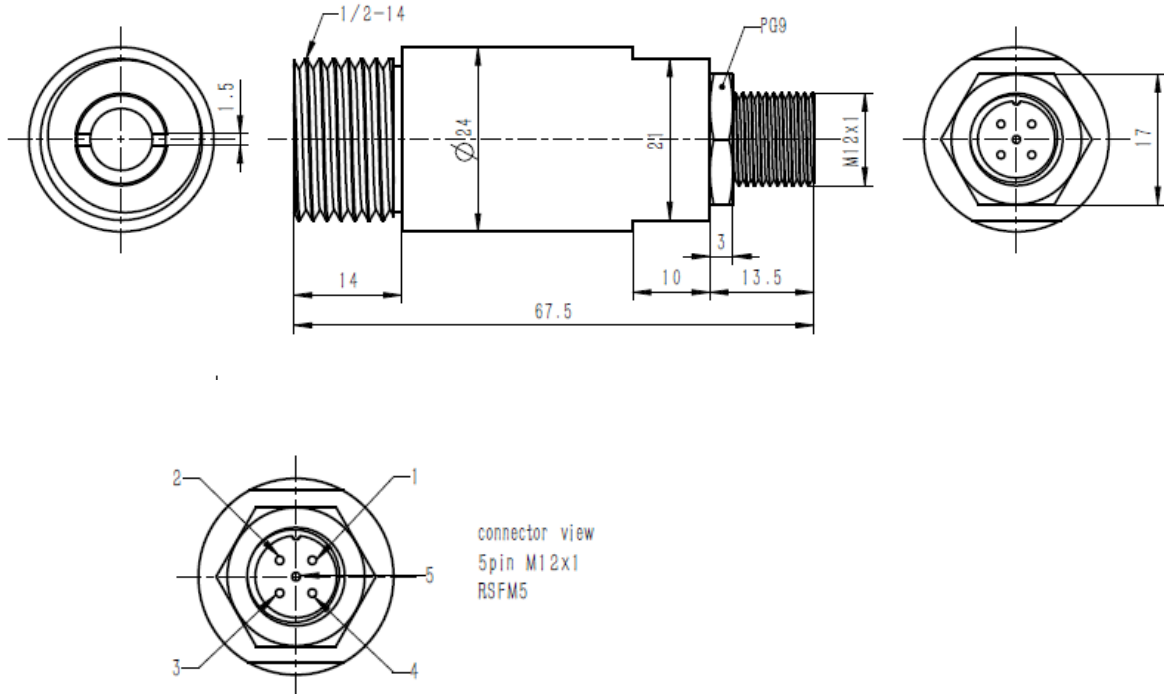
<sup>2</sup> UV power intensity measurement range: 0-200 mW/cm<sup>2</sup> (standard), 0-1 W/cm<sup>2</sup> (option), 0-10 W/cm<sup>2</sup> (option), 0-40 W/cm<sup>2</sup> (option).



# UV Sensor Probe

Model: WP-UVx-G1/2-2y

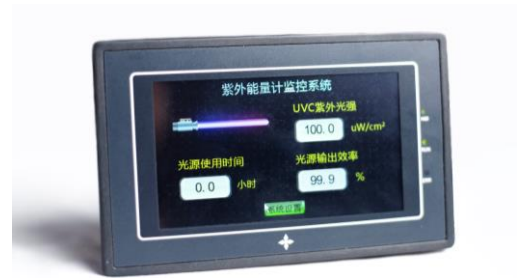
Drawing (unit: mm)



5-pin analog plug: pin 1= $V_{cc}$ , pin 2=null, pin 3= $I_{out} / V_{out}$ , pin 4=GND / null, pin 5=null

## Touchscreen UV radiometer (optional)

- Fully compatible with all GaNo Opto's UV sensor probes
- Real time display of UV power density, UV source accumulated service time and UV source output efficiency
- System settings for UV output calibration, timer reset, operation status cartoon, threshold of failure alarm and initial 100% output efficiency normalization
- One channel input and 24 V power supply
- Customized Chinese and English versions



## Lite-edition UV radiometer (optional)

- Fully compatible with all GaNo Opto's UV sensor probes
- 5 digital real time display of UV power density
- Pre-calibration or re-calibration for specific UV light source upon request
- Optional RS-485 or relay output
- One channel input and 9-24 V power supply

