

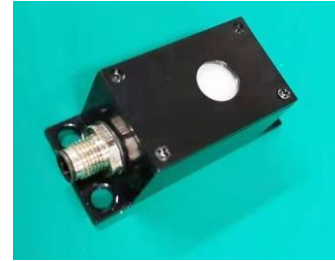


## Mini UV Sensor Probe

Model: MP-UVx-P2y

### General features:

- Compact package with sapphire window
- Firm metal housing with standard circular connector
- Single power supply
- Analog 0-5 V or 4-20 mA output
- High sensitivity and proved reliability



**Applications:** Radiant intensity measurement for UV curing, UV sterilization monitoring

### Specifications:

General parameters				
Dimensions	Window diameter (mm)	Weight (g)	Case material	
See drawing below	6	58	Al	
Parameters	Symbol	Value	Unit	Remark
Maximum ratings				
Operation temperature	$T_{op}$	-20-85	°C	
Storage temperature	$T_{sp}$	-30-95	°C	
Electro-optical characteristics (25 °C)				
Supply voltage	$V_{cc}$	7-24	V	DC
Output signal	$I_{out}$	4-20	mA	2 wire circuit (MP-UVx-P21) 3 wire circuit (MP-UVx-P22)
	$V_{out}$	0-5	V	3 wire circuit (MP-UVx-P23)
Detection wavelength range <sup>1</sup>	$\lambda$	220-290	nm	MP-UVC-P2y
		220-325		MP-UVB-P2y
		220-370		MP-UVA-P2y
		290-440		MP-UVV-P2y
UV power intensity measurement range	$P$	0-200	mW/cm <sup>2</sup>	See other options <sup>2</sup>
Connection				
Circular connector	5 mm male connector with 3 pins			
Cable <sup>3</sup>	2 m cable with one-end 5 mm female connector			

<sup>1</sup> UVA, UVB, UVC, UVV and full UV band are all available upon request.

<sup>2</sup> UV power intensity measurement range: 0-200 mW/cm<sup>2</sup> (standard), 0-1 W/cm<sup>2</sup> (option).

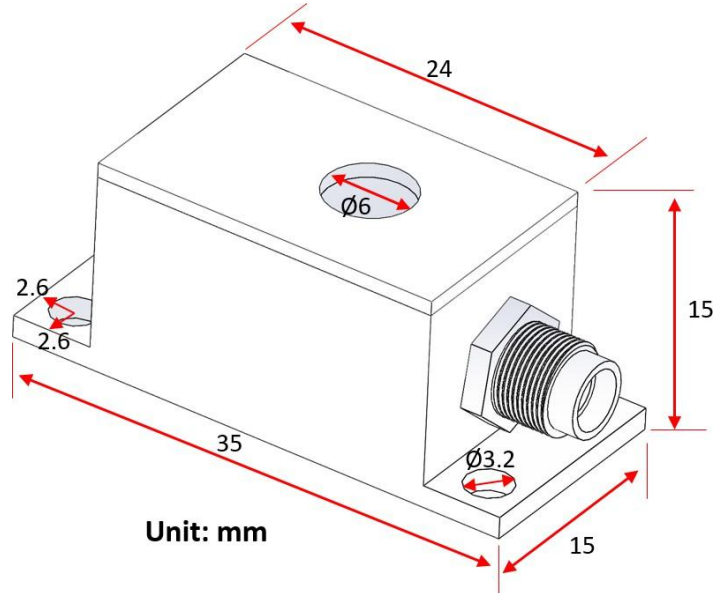
<sup>3</sup> Cable length can be customized upon request.



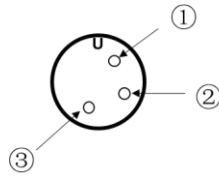
# Mini UV Sensor Probe

Model: MP-UVx-P2y

## Drawing:



## Analog Plug



## Connector View

3 pin M5\*0.5

Pin ① = power supply

Pin ② = GND

Pin ③ = signal output

## Wiring Connections

